

1
2
3
4
5
6
7
8
9
10
11
12
13
14
15

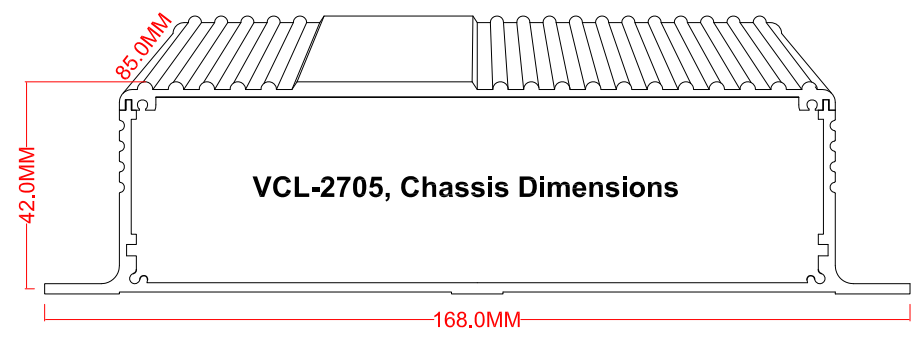
A
B
C
D
E
F
G
H
I
J
K

APPR.
CHECK
DATE
REVISION

NAME
DATE
REVISION

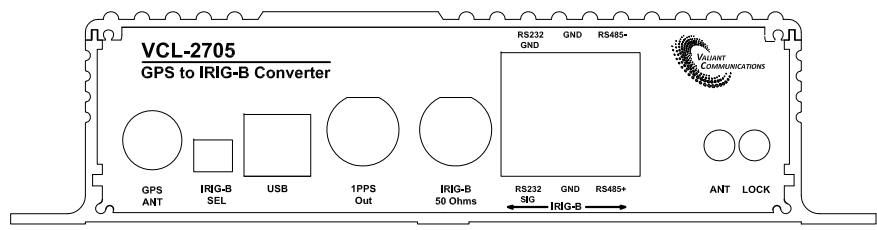
The Drawing and any information or descriptive matter set out hereon are the confidential property of Valiant Communications and must not be disclosed, loaned, copied or used for manufacturing, tendering or any other purpose without their written permission

Mechanical Drawing of VCL-2705 GPS to IRIG-B Converter

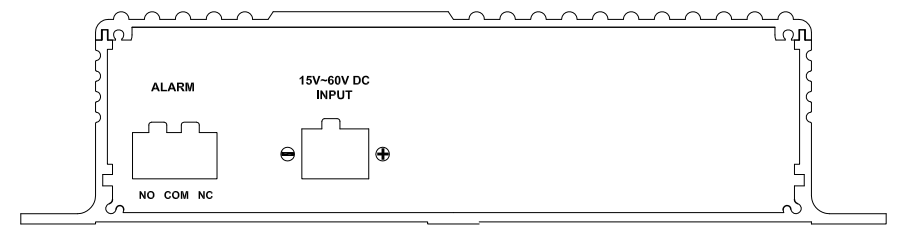


VCL-2705	
Mechanical Dimensions	
Width	168.0 MM
Height	42.0 MM
Depth	85.0 MM (without connector)
	107.0 MM (with connector)
Weight	.4kg
Tolerance - +/-0.5MM.	

Front View



Rear View



Title: Mechanical Drawing of VCL-2705 GPS to IRIG-B Converter



**Valiant
Communications**

Drawing No:
EMD-2705/GPS/IRIG-B/
002

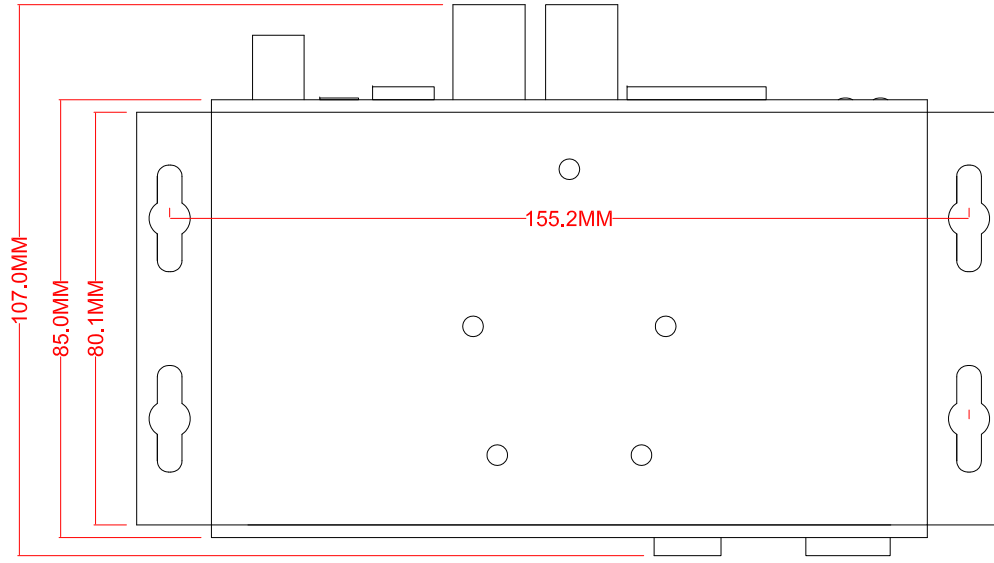
Date	Rev	Sheet	01
Nov 10, 2021	02	Next Sheet	02

A
B
C
D
E
F
G
H
I
J
K

APPR.
CHECK
DATE
REVISION
REVISION
CHECK
CHECK
NAME
DATE
REVISION

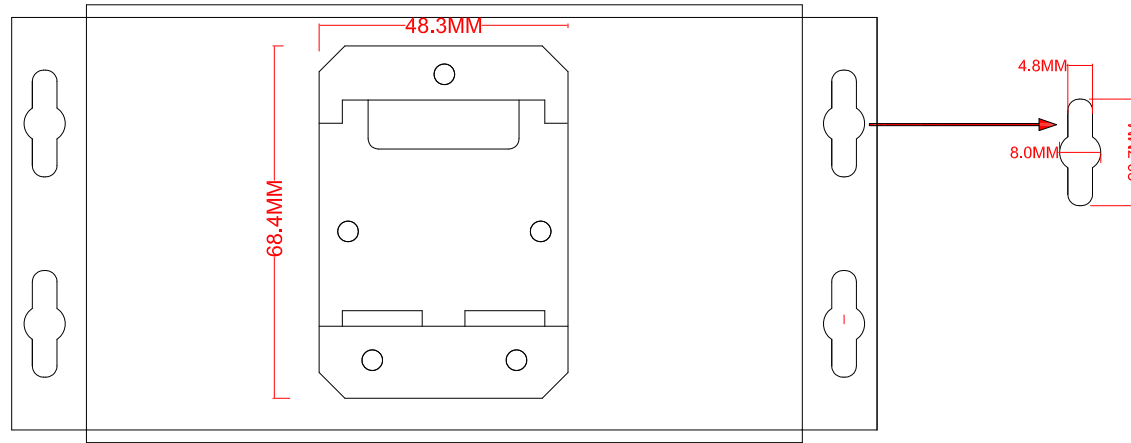
The Drawing and any information or descriptive matter set out herein are the confidential property of Valiant Communications and must not be disclosed, loaned, copied or used for manufacturing, tending or any other purpose without their written permission

Mechanical Drawing of VCL-2705 GPS to IRIG-B Converter



Bottom View with Connectors

VCL-2705 Bottom View	
Mechanical Dimensions	
Width	168.0 MM
Depth	85.0 MM (without connector)
	107.0 MM (with connector)



Bottom View with DIN Rail

Title: Mechanical Drawing of VCL-2705 GPS to IRIG-B Converter



Valiant
Communications

Drawing No:
EMD-2705/GPS/IRIG-B/
002

Date	Rev	Sheet	02
Nov 10, 2021	02	Next Sheet	END